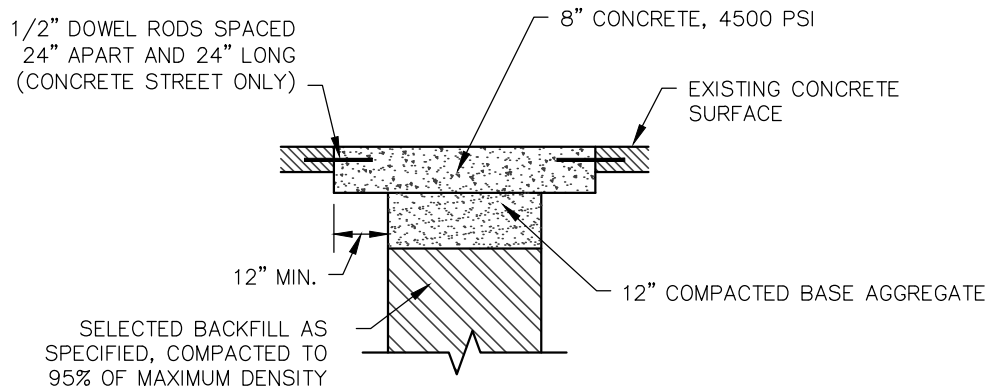


NOTES:

- 1.) IN LIEU OF COMPACTED SELECT BACKFILL, GRANULAR BACKFILL MAY BE USED.

**GRAVEL SURFACE**



NOTES:

- 1.) CONCRETE TO BE 6 ½ BAG MIX.
- 2.) PATCH SHALL BE JOINTED TO MATCH EXISTING PAVEMENT.

**CONCRETE DRIVING SURFACE**



**SHAFER, KLINE & WARREN, INC.**

216 N. Jefferson Avenue, Iola 66749-2943  
620/365-5101 FAX: 620/365-6828

OFFICE LOCATIONS:

Chillicothe, MO	Iola, KS	Macon, MO
Columbia, MO	Kansas City, MO	North Kansas City, MO
Houston, TX	Lenexa, KS	Tulsa, OK

CIVIL ENGINEERS ELECTRICAL ENGINEERS MECHANICAL ENGINEERS STRUCTURAL ENGINEERS LANDSCAPE ARCHITECTS LAND SURVEYORS LAND PLANNERS

Designed By: DLC

Drawn By: HJP

Checked By: DLC

Issue Date: 09/2012

**SURFACE RESTORATION  
DETAILS 2**